

SHOE BOX LIGHTING YML ZQ01 SERIES



Fixture

1. High-pressure die cast aluminum housing with powder coated finish for corrosion resistance
2. High-reflection efficiency reflector imported from Germany
3. Tempered glass cover for shock resistance and durable use
4. Heat-resistance and gas tight rubber seal ensures high IP rating
5. Several options for installation method
6. IP Class: IP65

Lamp and Ballast

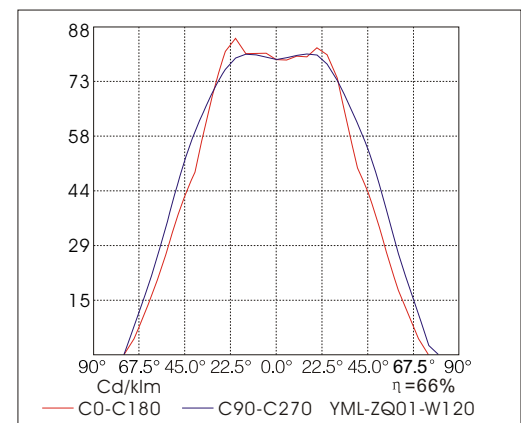
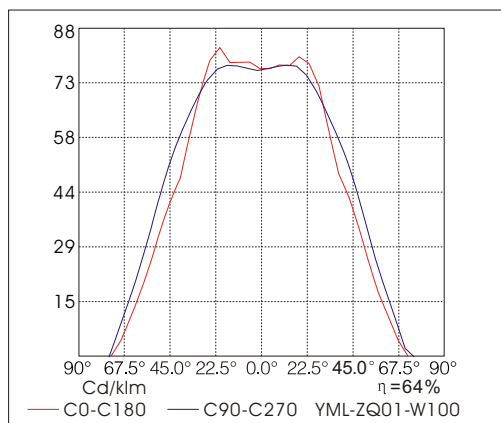
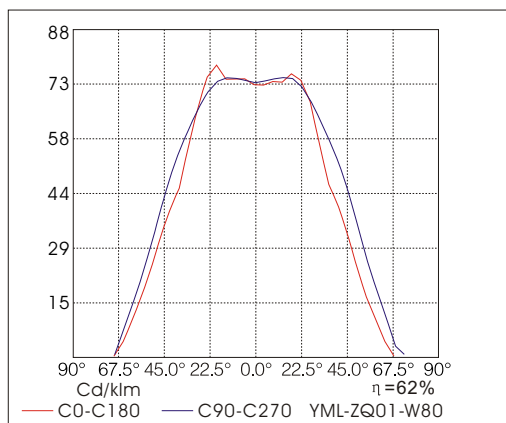
1. 80-120W rectangle induction lamp with high lumen efficiency, high lumen maintenance, long lifespan and excellent CRI
2. 80-120W electronic ballast with profiled aluminum case, high power factor (>0.96), low energy loss, and long lifespan

Applications

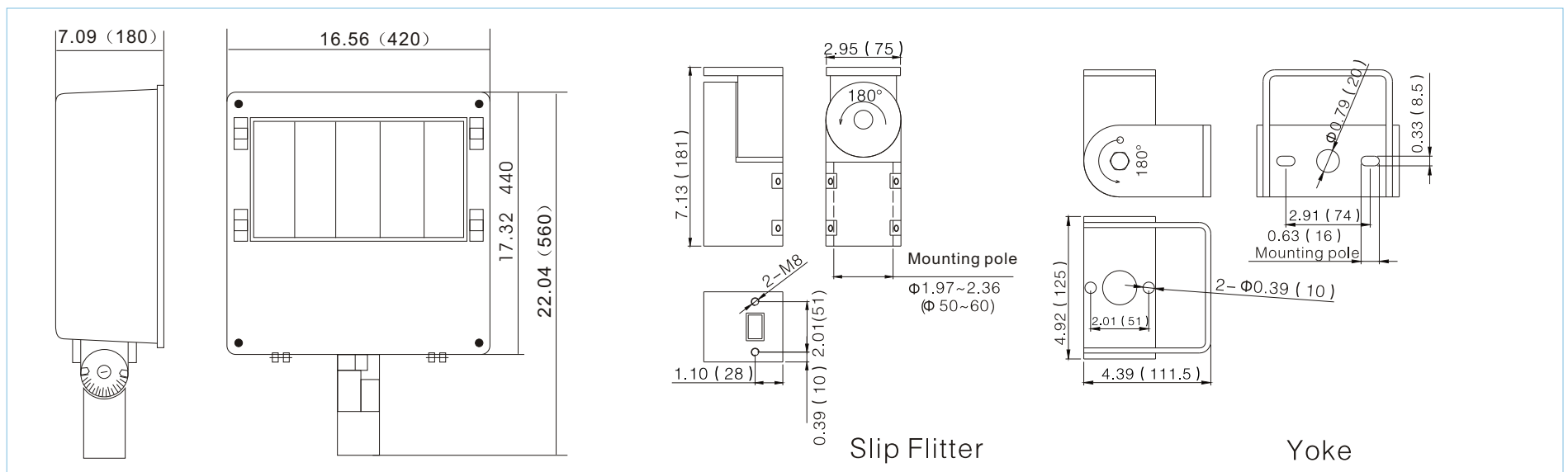
Parking Lots, Pedestrian Walkways, Roadways, and other Outdoor Applications

Warning: Disable all power to the luminaire before conducting any maintenance or upgrade activity. Failure to do so will create a hazardous and fatal working environment.

Distribution Curve Flux



Dimensions [Unit: Inch(mm)]



Specifications

Model	Lamp	Wattage (W)	Ballast Loss (W)	Voltage (V)	CCT (K)	Ambient Temperature	Installation	Replace HPS Lamp (W)
YML-ZQ01/S-W80	WJY80J850W/Z	80	<8	AC:120-277V AC:208-347V DC:12V, 24V	5000	-25°C-40°C -13°F-104°F	Slip Flitter	150
YML-ZQ01/S-W100	WJY100J850W/Z	100	<10					175
YML-ZQ01/S-W120	WJY120J850W/Z	120	<12					250
YML-ZQ01/Y-W80	WJY80J850W/Z	80	<8				U-Bracket	150
YML-ZQ01/Y-W100	WJY100J850W/Z	100	<10					175
YML-ZQ01/Y-W120	WJY120J850W/Z	120	<12					250

Note: Products for 80W or CCT 2700-6500K are available upon request