



### Fixture

1. High-pressure die cast aluminum housing with powder-coated finish for corrosion resistance
2. Heat-resistant, flat-tempered, and shockproof glass lens
3. Stretched and anodized aluminum reflector
4. Optional photocell maximizes saving energy
5. Optional dimming function available upon request
6. IP Class: IP55

### Lamp and Ballast

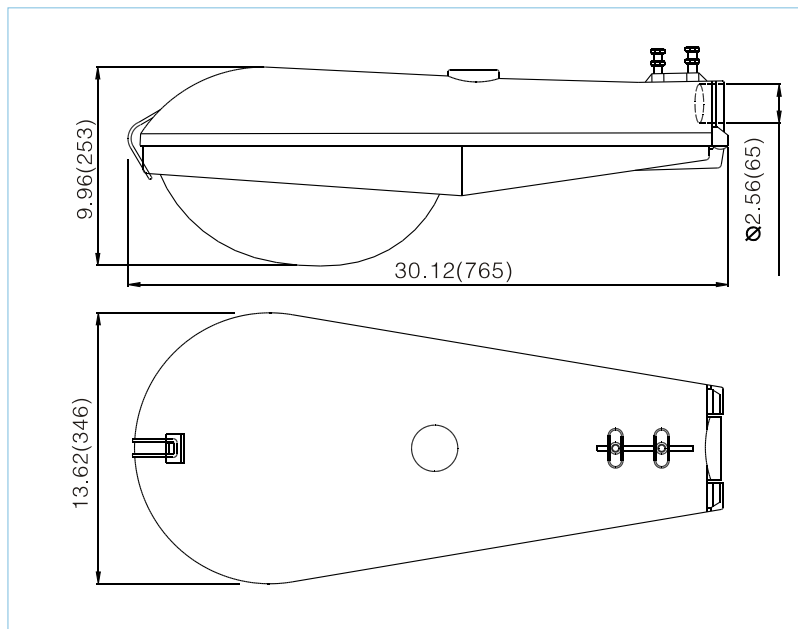
1. 40-100W rectangle induction lamp with high lumen efficiency, high lumen maintenance, long lifespan and excellent CRI
2. 40-100W electronic ballast with profiled aluminum case, high power factor (>0.96), low energy loss, and long lifespan

### Applications

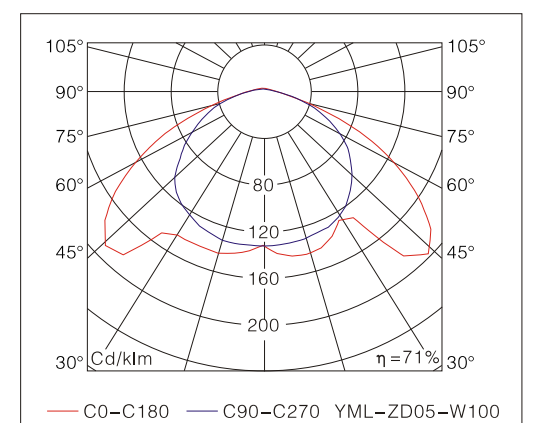
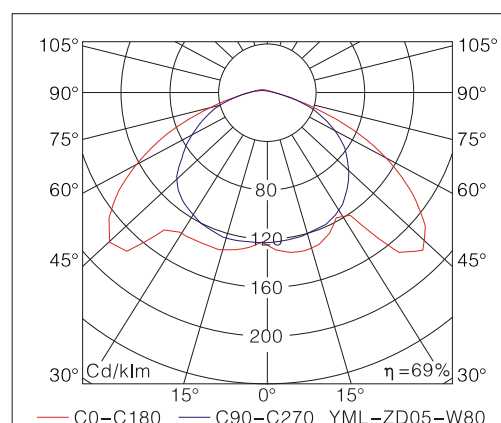
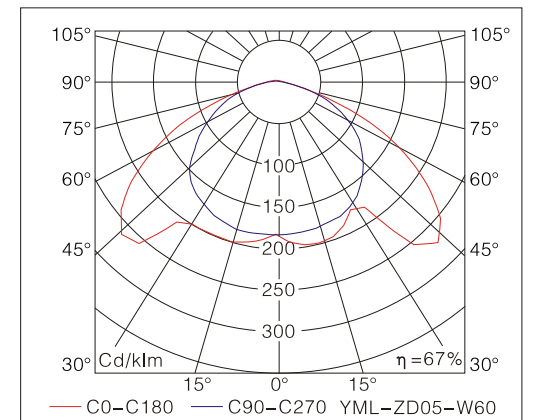
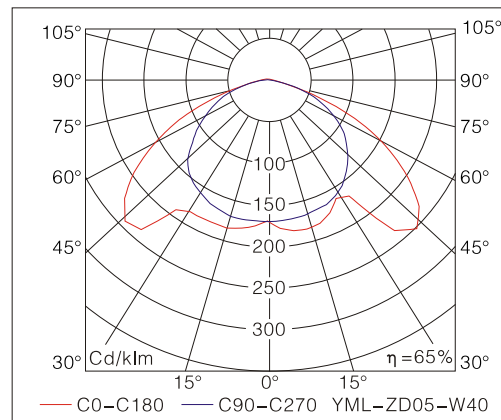
Roadways, Freeways, Highways, Parking Lots, Off-Street Areas, etc.

**Warning:** Disable all power to the luminaire before conducting any maintenance or upgrade activity. Failure to do so will create a hazardous and fatal working environment.

### Dimensions [Unit: Inch(mm)]



### Distribution Curve Flux



### Specifications

Model	Lamp	Wattage (W)	Ballast Loss (W)	Voltage (V)	CCT (K)	Ambient Temperature	Installation	Replace HPS Lamp (W)
YML-ZD05-W40	WJY40J850W41	40	<4	AC: 120-277V AC: 208-347V DC: 12V, 24V	5000	-25 -40°C -13 -104°F	Φ 1.97-2.36(50-60) Round Pole	70
YML-ZD05-W60	WJY60J850W41	60	<6					100
YML-ZD05-W80	WJY80J850W/Z	80	<8					150
YML-ZD05-W100	WJY100J850W/Z	100	<10					175

Note: The products with CCT 2700-6500K are available upon request