

Wall Pack Lighting

YML-1WP11 Series

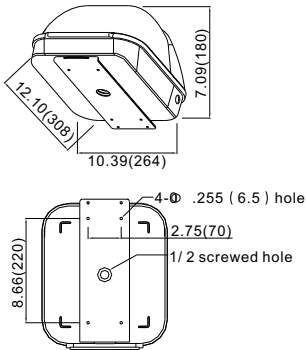


Applications

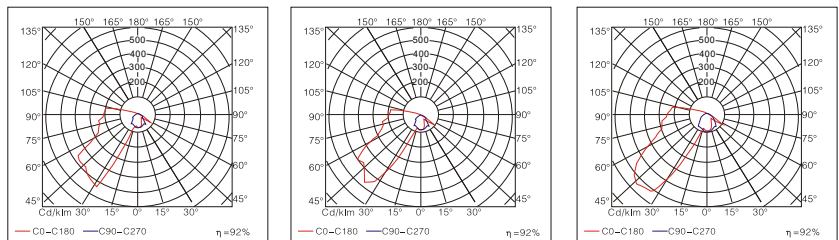
Parks, Shopping Malls, Courtyards, Historic Areas, etc.

- Efficiency of chips: 150-165 lm/w, 180-195 lm/w
- LENS: Optical grade PC, anti-UV oxidation.
- Housing: die casting aluminum housing with excellent heat dissipation, surface treated with powder coated finish for corrosion and static resistance.
- Input voltage: 120-277 VAC, 50/60 HZ
- LED driver: constant current, efficiency is up to 92%, PF ≥ 0.95.
- IP class: IP65

Dimension [Inch(mm)]



Distribution Curve Flux



YML-1WP11-15-750

YML-1WP11-23-750

YML-1WP11-38-750

Ordering Information

Example: YML-1WP11-15-750-B

Company code	Voltage	Type	Power	Ra	Colour Temp.	Colour Options
YML	1	WP 11	15 (15W 1400Lumens)	7	27	B Black(standard) C Coffee
	120~277VAC		15P (15W 2200Lumens)	70	2700K	
	2		23 (23W 2200Lumens)	8	30	
	200~240VAC		23P (23W 3100Lumens)	80	3000K	
	3		38 (38W 3800Lumens)	9	40	
	100~120VAC		38P (38W 7500Lumens)	90	4000K	
	4		277~480VAC	5000K		
	5		347~480VAC	5700K		
	65		6500K			
	6500K					