



Fixture

1. High pressure die casting aluminum housing, static spraying or oxidation surface, high temperature resistance;
2. Professionally designed reflector with uniform light distribution; reflecting surface treated with high brightness anodic oxidation or vacuum coating to achieve high efficacy;
3. Tempered glass lamp cover, stainless steel outer fixed parts;
4. IP Class: IP 65

Lamp and Ballast

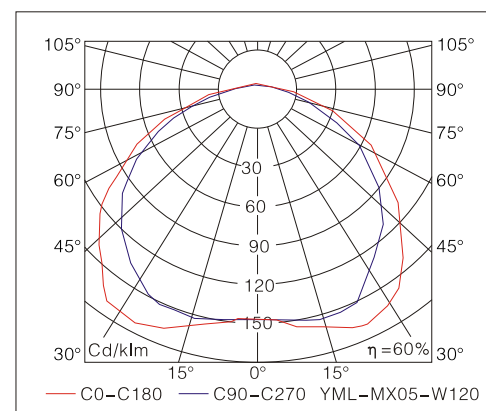
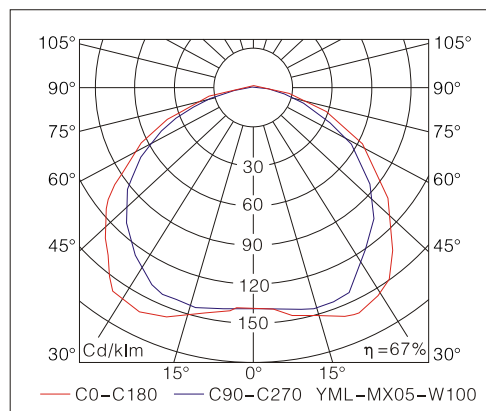
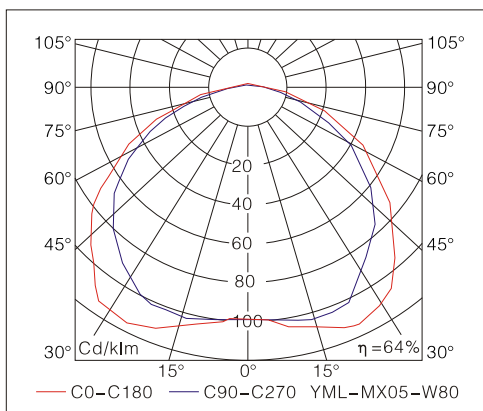
1. 80-120 W round type induction lamp with high lumen efficiency, high lumen maintenance, long lifespan, and excellent CRI
2. 80-120W electronic ballast with die cast aluminum case features high power factor (>0.96), low energy loss, and long lifespan

Applications

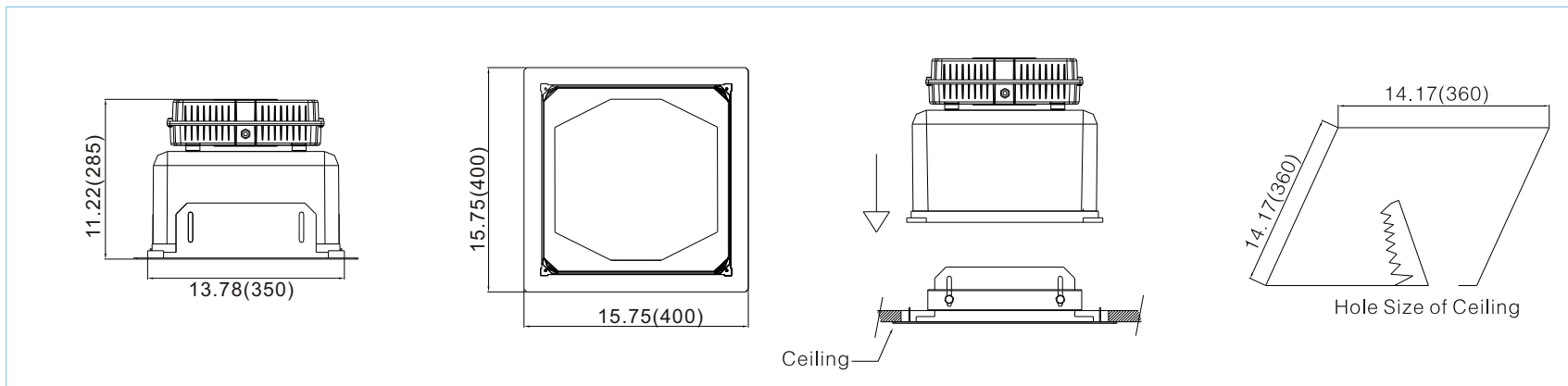
Petrol Stations, Warehouses, Tollgates, Plant Stations, Parking Lots, Supermarket, etc.

Warning: Disable all power to the luminaire before conducting any maintenance or upgrade activity. Failure to do so will create a hazardous and fatal working environment.

Distribution Curve Flux



Dimensions [Unit: Inch(mm)]



Specifications

Model	Lamp	Wattage (W)	Ballast Loss (W)	Voltage (V)	CCT (K)	Ambient Temperature	Installation	Replace MH Lamp (W)
YML-MX05-W80	WJY80H850W/Z	80	<8	AC:120-277V AC:208-347V	5000	-25 -40°C -13 -104°F	Roof mount	150
YML-MX05-W100	WJY100H850W/Z	100	<10					175
YML-MX05-W120	WJY120H850W/Z	120	<12					250

Note: The products with CCT 2700-6500K are available upon request