



Fixture

1. Die cast aluminum housing and stretched aluminum gearbox with powder for corrosion resistance
2. High purity mirror aluminum reflector and highly luminous PC hood maximizes lumen output
3. Special designed structure for easy installation and shock resistance
4. Optional motion sensor available upon request
5. IP Class: IP53

Lamp and Ballast

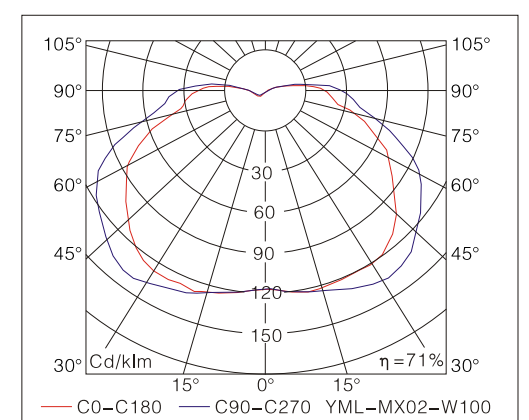
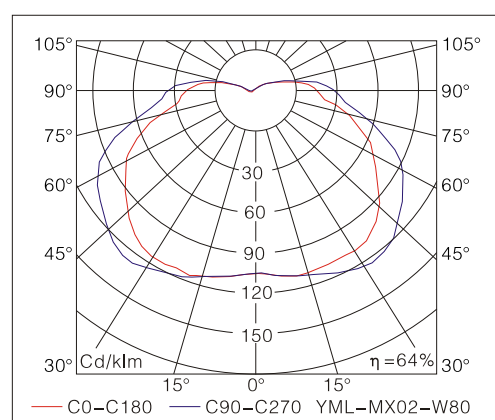
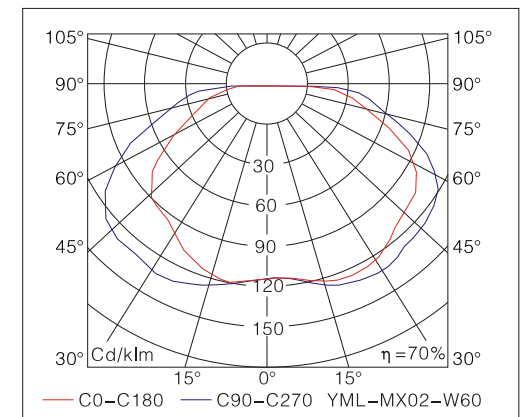
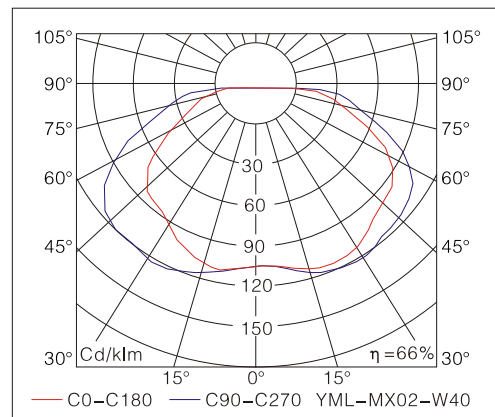
1. 40-100W round type induction lamp with high lumen efficiency, high lumen maintenance, long lifespan, and excellent CRI
2. 40-100W electronic ballast with die cast aluminum case features high power factor (>0.96), low energy loss, and long Lifespan

Applications

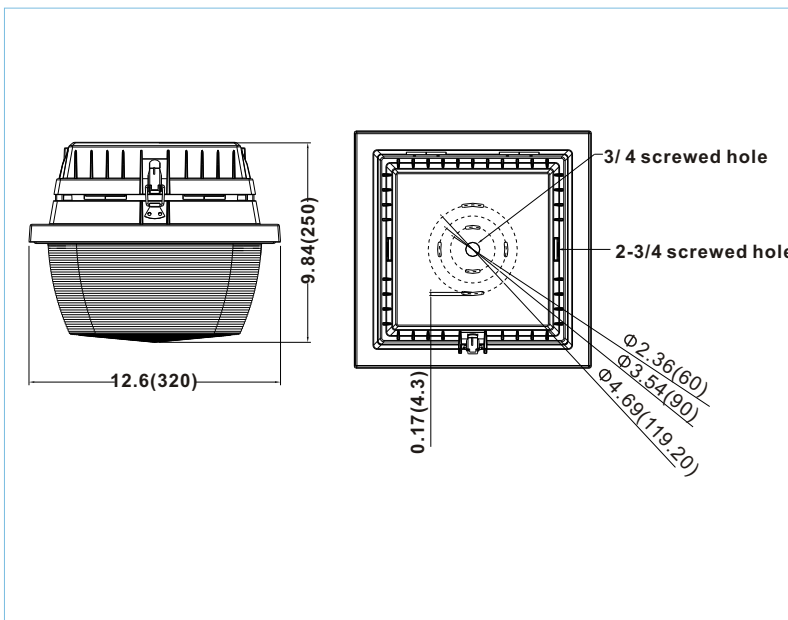
Parking Lots, Garages, Gas Stations, Corridors, Schools, Shopping Malls, etc.

Warning: Disable all power to the luminaire before conducting any maintenance or upgrade activity. Failure to do so will create a hazardous and fatal working environment.

Distribution Curve Flux



Dimensions [Unit: Inch(mm)]



Specifications

Model	Lamp	Wattage (W)	Ballast Loss (W)	Voltage (V)	CCT (K)	Ambient Temperature	Installation	Replace HPS Lamp (W)
YML-MX02-W40	WJY40H850W	40	<4	AC:120-277V AC:208-347V	5000	-25 -40°C -13 -104°F	Roof mount	70
YML-MX02-W60	WJY60H850W	60	<6					100
YML-MX02-W80	WJY80H850W/Z	80	<8					150
YML-MX02-W100	WJY100H850W/Z	100	<10					175-250

Note: The products with CCT 2700-6500K are available upon request