

### Fixture

1. Imported cold-rolled steel plate housing, static spraying surface
2. High, pure aluminum reflector, high light reflectivity, fade-proof in long term application
3. PC lamp cover, stainless steel outer fixed parts
4. Excellent dust and corrosion proof performance
5. IP Class: IP54

### Lamp and Ballast

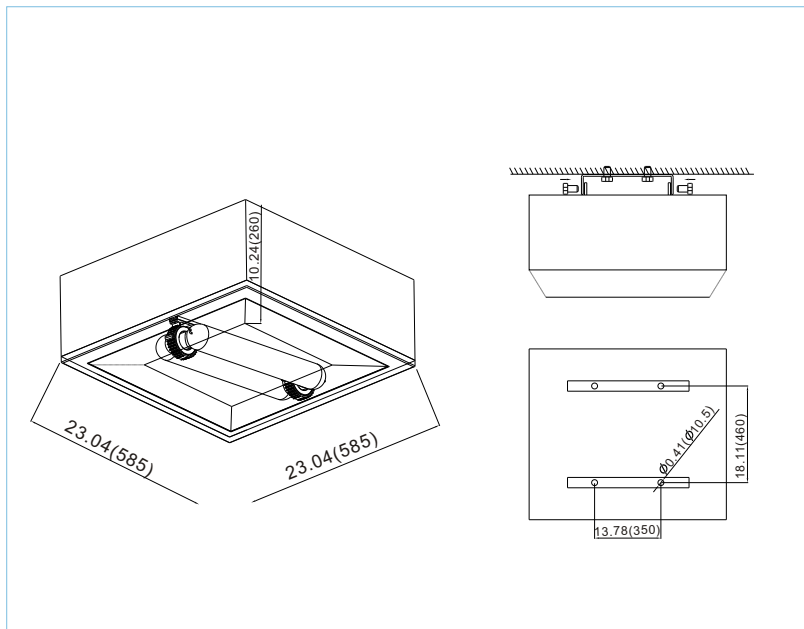
1. 40-200 W rectangle type induction lamp with high lumen efficiency, high lumen maintenance, long lifespan, and excellent CRI
2. 40-200W electronic ballast with die cast aluminum case features high power factor (>0.96), low energy loss, and long lifespan

### Applications

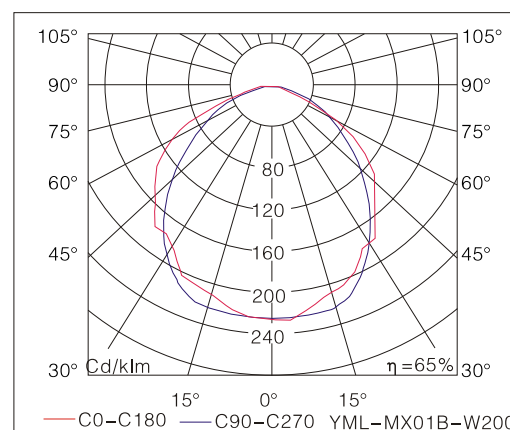
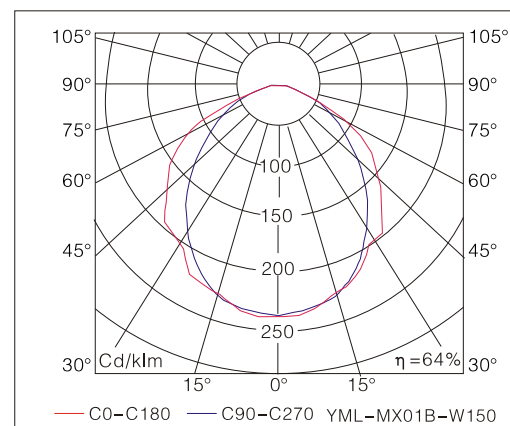
Petrol Stations, Warehouses, Tollgates, Plant Stations, Parking Lots, etc.

**Warning:** Disable all power to the luminaire before conducting any maintenance or upgrade activity. Failure to do so will create a hazardous and fatal working environment.

### Dimensions [Unit: Inch(mm)]



### Distribution Curve Flux



### Specifications

Model	Lamp	Wattage (W)	Ballast Loss (W)	Voltage (V)	CCT (K)	Ambient Temperature	Installation	Replace HPS Lamp (W)
YML-MX01B-W40	WJY40J850W	40	<4	AC:120-277V AC:208-347V	5000	-25 -40°C -13 -104°F	Roof mount	70
YML-MX01B-W60	WJY60J850W	60	<6					100
YML-MX01B-W80	WJY80J850W	80	<8					150
YML-MX01B-W100	WJY100J850W	100	<10					150
YML-MX01B-W120	WJY120J850W	120	<12					175
YML-MX01B-W150	WJY150J850W	150	<15					250
YML-MX01B-W200	WJY200J850W	200	<20					400

**Note:** The products with CCT 2700-6500K are available upon request.