



Fixture

1. Imported cold-rolled steel plate housing, static spraying surface
2. High, pure aluminum reflector, high light reflectivity, fade-proof in long term application
3. Tempered glass lamp cover, stainless steel outer fixed parts
4. Excellent dust and corrosion proof performance
5. IP Class: IP54

Lamp and Ballast

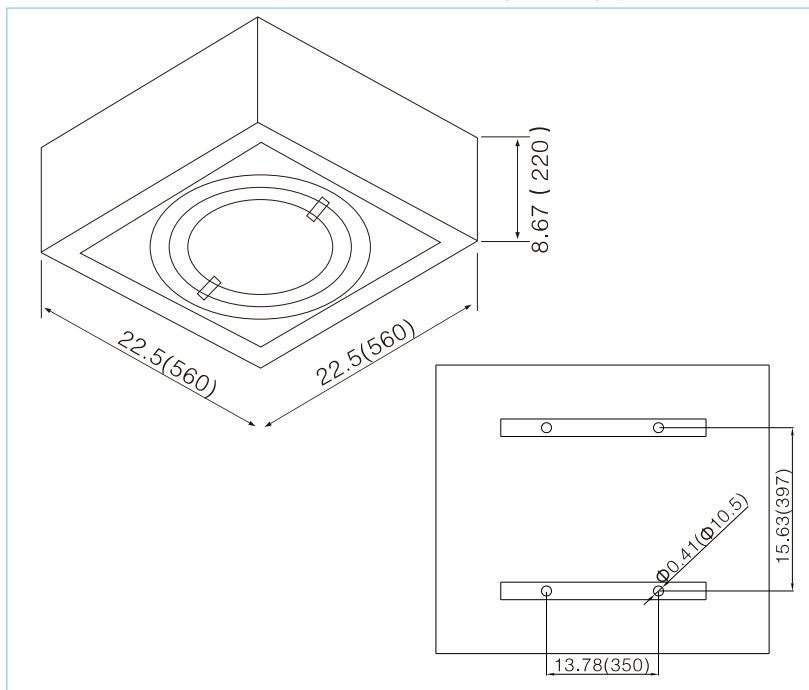
1. 80-200 W round type induction lamp with high lumen efficiency, high lumen maintenance, long lifespan, and excellent CRI
2. 80-200W electronic ballast with die cast aluminum case features high power factor (>0.96), low energy loss, and long lifespan

Applications

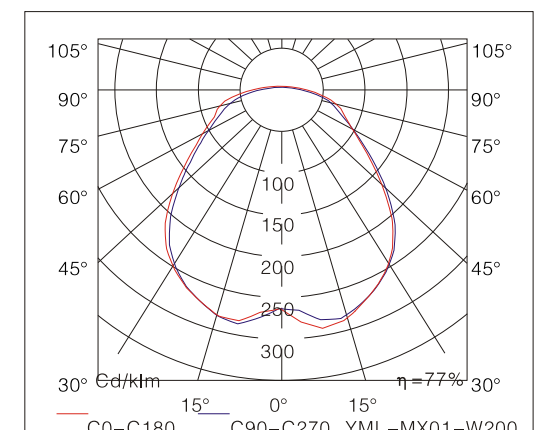
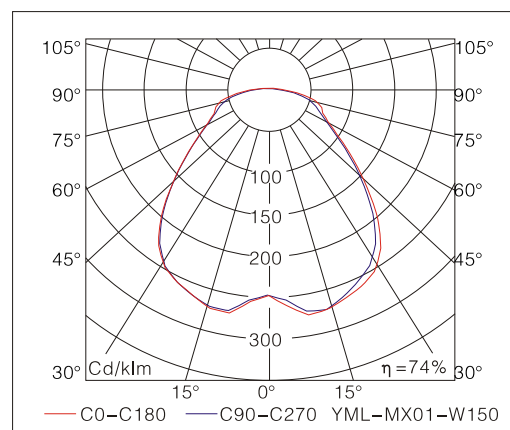
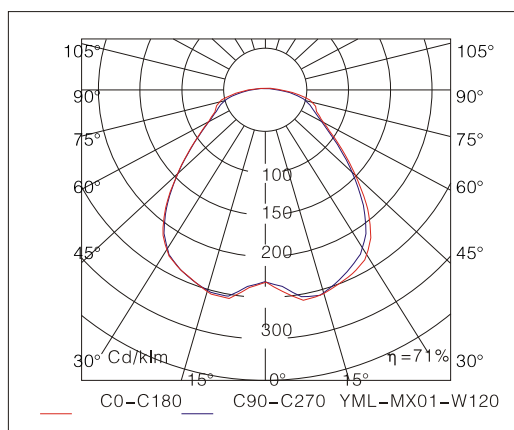
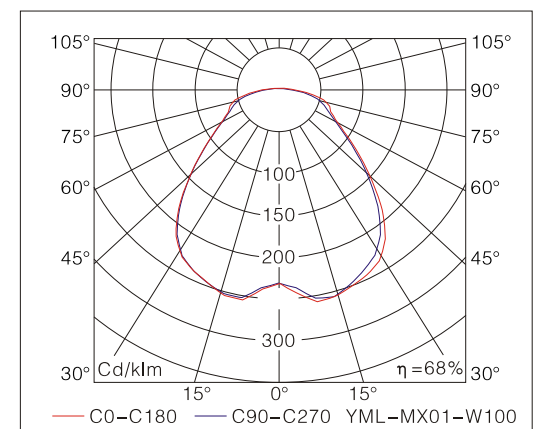
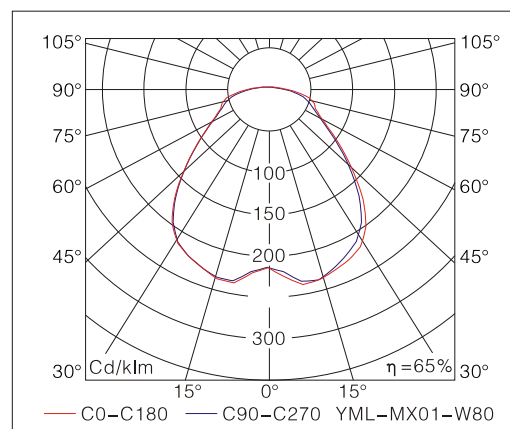
Petrol Stations, Warehouses, Tollgates, Plant Stations, Parking Lots, etc.

Warning: Disable all power to the luminaire before conducting any maintenance or upgrade activity. Failure to do so will create a hazardous and fatal working environment.

Dimensions [Unit: Inch(mm)]



Distribution Curve Flux



Specifications

Model	Lamp	Wattage (W)	Ballast Loss (W)	Voltage (V)	CCT (K)	Ambient Temperature	Installation	Replace HPS Lamp (W)
YML-MX01-W80	WJY80H850W/Z	80	<8	AC:120-277V AC:208-347V	5000	-25 -40°C -13 -104°F	Roof mount	150
YML-MX01-W100	WJY100H850W/Z	100	<10					150
YML-MX01-W120	WJY120H850W/Z	120	<12					175
YML-MX01-W150	WJY150H850W/Z	150	<15					250
YML-MX01-W200	WJY200H850W/Z	200	<20					400

Note: The products with CCT 2700-6500K are available upon request