



Fixture

1. Aluminum alloy housing with powder-coated finish for corrosion resistance
2. High luminosity optimizes light uniformity
3. Heat-resistant and gas tight rubber seal for high IP rating
4. IP Class: IP53

Lamp and Ballast

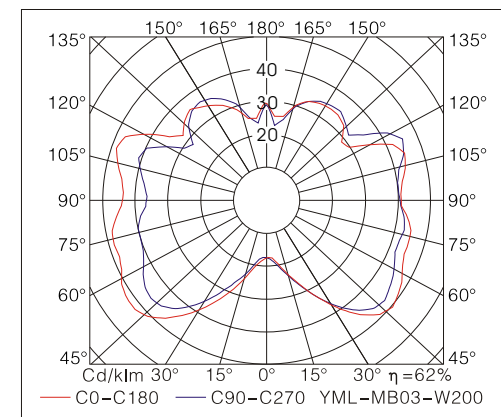
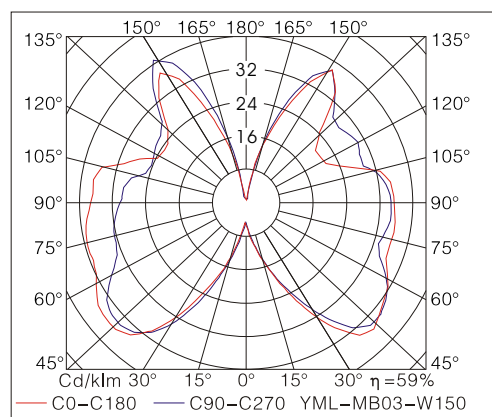
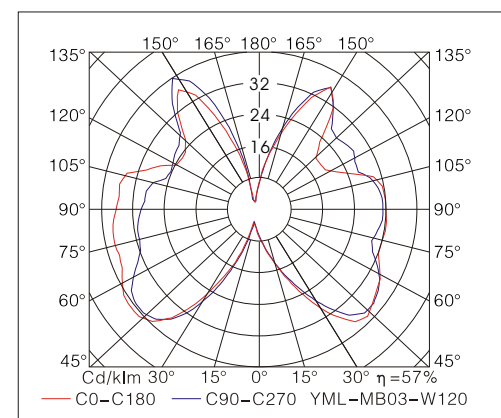
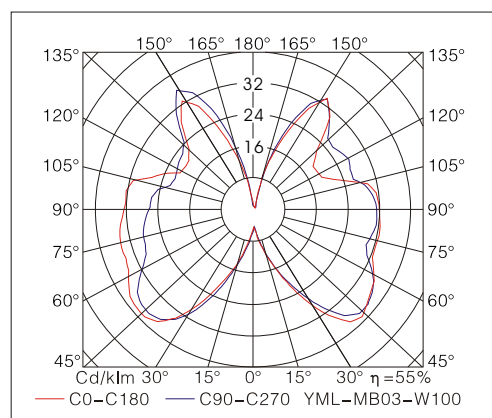
1. 40-200W round type induction lamp with high lumen efficiency, high lumen maintenance, long lifespan, and excellent CRI
2. 40-200W electronic ballast with die cast aluminum case features high power factor (>0.96), low energy loss, and long lifespan

Applications

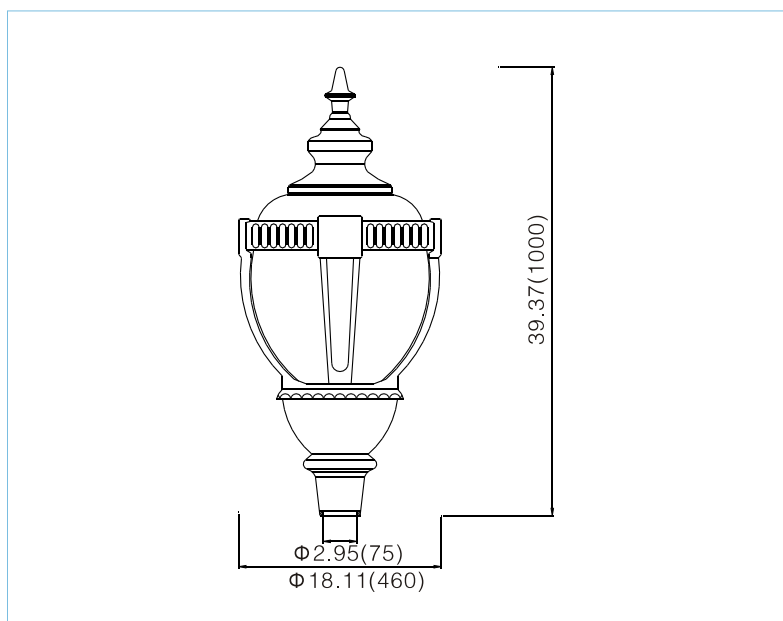
Parks, Shopping Malls, Courtyards, Historic Areas, etc.

Warning: Disable all power to the luminaire before conducting any maintenance or upgrade activity. Failure to do so will create a hazardous and fatal working environment.

Distribution Curve Flux



Dimensions [Unit: Inch(mm)]



Specifications

Model	Lamp	Wattage (W)	Ballast Loss (W)	Voltage (V)	CCT (K)	Ambient Temperature	Installation	Replace HPS Lamp (W)
YML-MB03-W100	WJY100H850W/Z	100	<10	AC:120-277V AC:208-347V	5000	-25 -40°C -13 -104°F	Φ2.95(75) Pole	175
YML-MB03-W120	WJY120H850W/Z	120	<12					250
YML-MB03-W150	WJY150H850W/Z	150	<15					320
YML-MB03-W200	WJY200H850W/Z	200	<20					400

Note: The products with CCT 2700-6500K and 40-80W are available upon request