

# WALL PACK LIGHTING

## YML - MB01/MB01A SERIES



### Fixture

1. High-pressure die cast aluminum housing with powder-coated finish for corrosion resistance
2. Uniquely shaped, anodized aluminum reflector with optimal light distribution
3. Heat-resistant and gas tight rubber seal for high IP rating
4. IP Class: IP54

### Lamp and Ballast

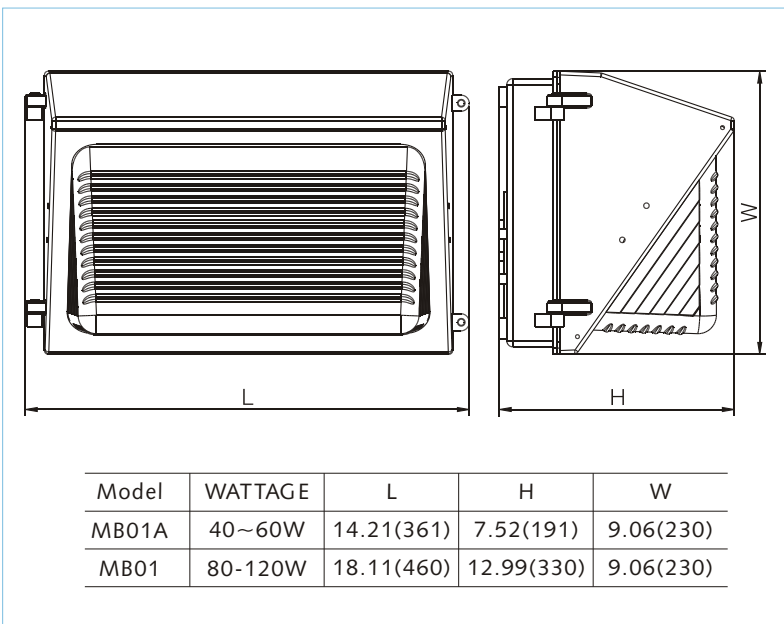
1. 40-100W rectangle type induction lamp with high lumen efficiency, high lumen maintenance, long lifespan, and excellent CRI
2. 40-100W electronic ballast with die cast aluminum case features high power factor (>0.96), low energy loss, and long lifespan

### Applications

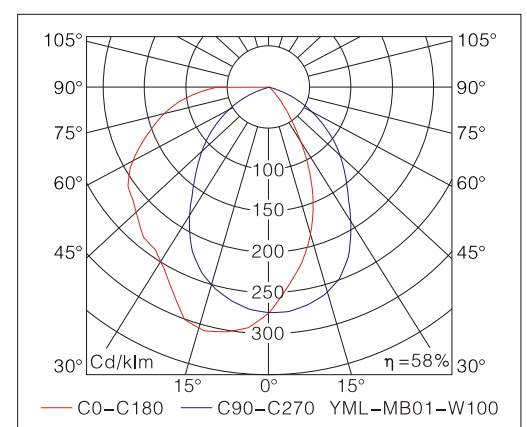
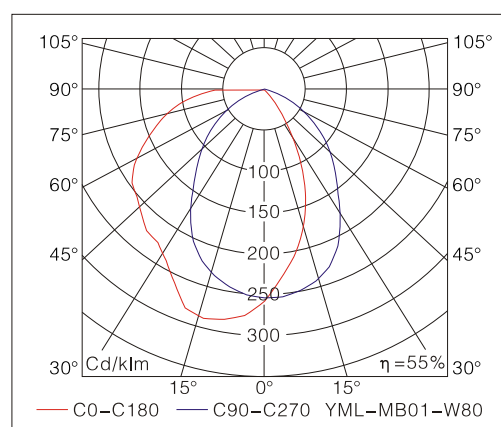
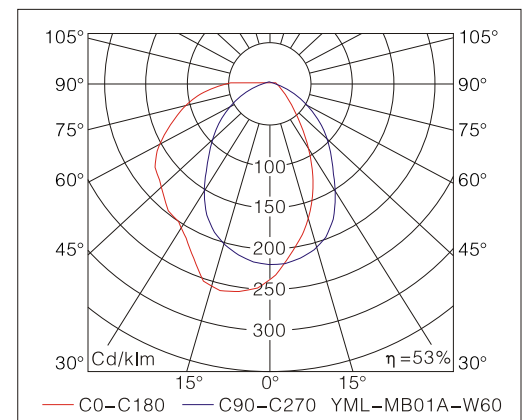
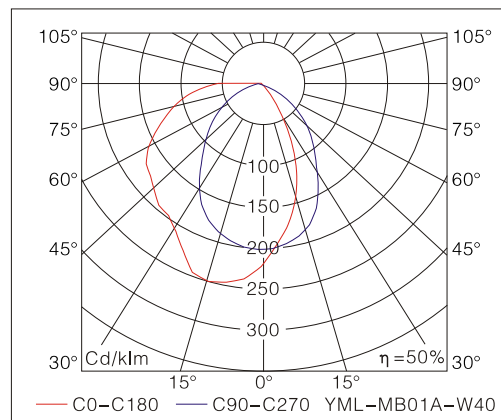
Parks, Shopping Malls, Courtyards, Historic Areas, etc.

**Warning:** Disable all power to the luminaire before conducting any maintenance or upgrade activity. Failure to do so will create a hazardous and fatal working environment.

### Dimensions [Unit: Inch(mm)]



### Distribution Curve Flux



### Specifications

Model	Lamp	Wattage (W)	Ballast Loss (W)	Voltage (V)	CCT (K)	Ambient Temperature	Installation	Replace HPS Lamp (W)
YML-MB01A-W40	WJY40J850W	40	<4	AC:120-277V AC:208-347V	5000	-25 -40°C -13 -104°F	Perpendicular to the wall	70
YML-MB01A-W60	WJY60J850W	60	<6					100
YML-MB01-W80	WJY80J850W/Z	80	<8					150
YML-MB01-W100	WJY100J850W/Z	100	<10					175
YML-MB01-W120	WJY120J850W/Z	120	<12					250-400

Note: The products with CCT 2700-6500K are available upon request