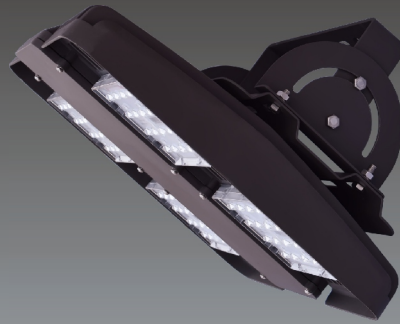


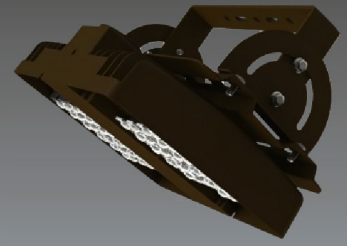
High Bay Lighting

YML-1HB31 Series

Specially used in warehouse



L Series



S Series

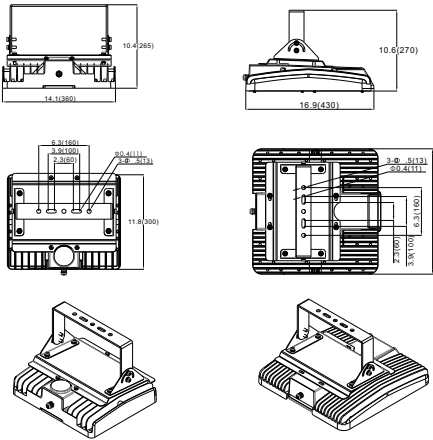


Applications

Industrial Factories, Warehouses, Stadium, Airport, Railway Stations, Gas Stations, Supermarkets, and other Indoor Locations.

- Efficiency of chips: 150-165 lm/w, 180-195 lm/w
- LENS: Optical grade PC, anti-UV oxidation.
- Beam Angle: 140° × 90°, 115° × 55°
- Housing: die casting aluminum housing with excellent heat dissipation, surface treated with powder coated finish for corrosion and static resistance.
- Input voltage: 120-277 VAC, 277~480VAC, 50/60 Hz
- LED module can be dismantled separately for maintenance.
- LED driver: constant current, efficiency is up to 92%, PF ≥ 0.95.
- IP class: IP65

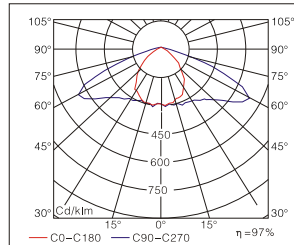
Dimension [Inch(mm)]



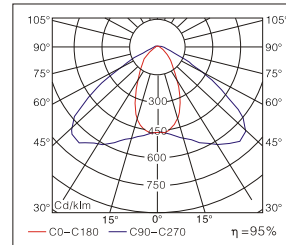
YML-1HB 31S

YML-1HB 31

Distribution Curve Flux



140° × 90°



115° × 55°

Ordering Information

Example: YML-1HB31S-80-750-C-140-090-1

Company code	Voltage	Type	Power	Ra	Colour Temp.	Colour Options	Optic	Options	
YML	120-277VAC	HB 31S	80 (80W 9900Lumens)	7	27	C Coffee (standard)	140-090	1 0-10V dimming	
			100 (100W 11700Lumens)	70	2700K		140° × 90°		
			120 (120W 15000Lumens)	8	30		115-055		3 Timing dimming
			150 (150W 18000Lumens)	80	3000K		115° × 55°		
	200-240VAC	HB 31	150 (150W 19200Lumens)	9	40	B Black S Silver	Occupancy sensor (dimming control/ on off control)		
			200 (200W 23400Lumens)	90	4000K				
			240 (240W 26150Lumens)		50				
			300 (300W 35400Lumens)		5000K				
					57				
	277-480VAC				5700K				
				65					
347-480VAC				6500K					