



Fixture

1. Heat-resistant and highly luminous hood for efficiency and uniform lumen output
2. Special thermal design for longer lifespan
3. IP Class: IP53

Lamp and Ballast

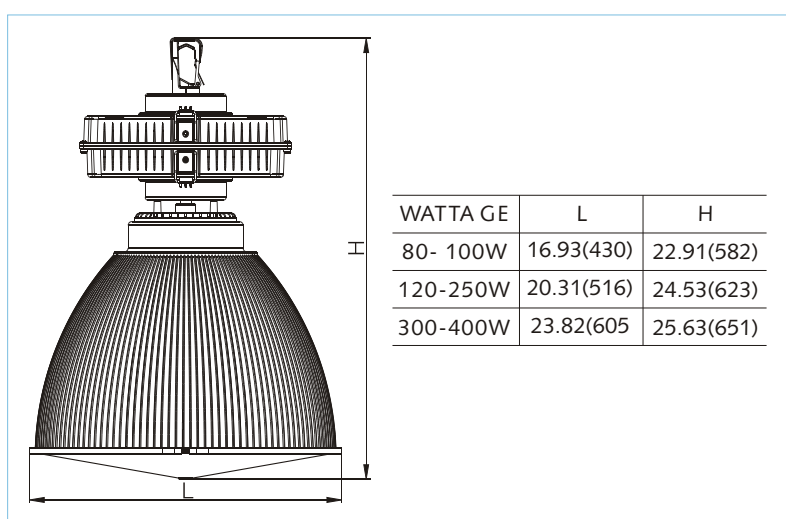
1. 80-400W round type induction lamp with high lumen efficiency, high lumen maintenance, long lifespan, and excellent CRI
2. 80-400W electronic ballast with die cast aluminum case features high power factor (>0.96), low energy loss, and long lifespan

Applications

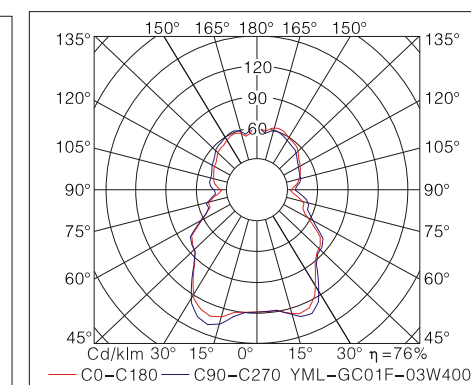
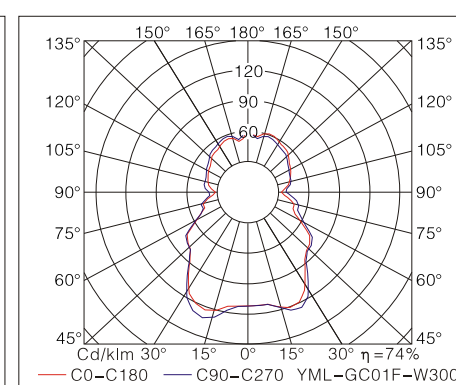
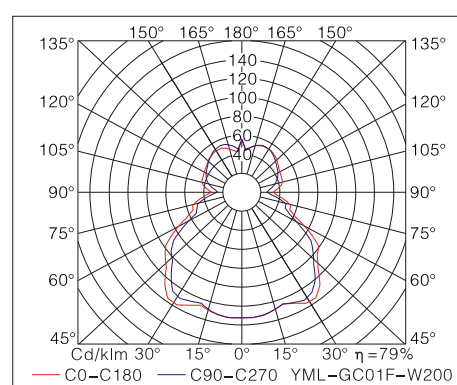
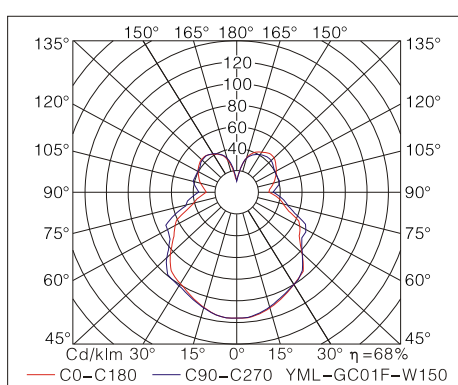
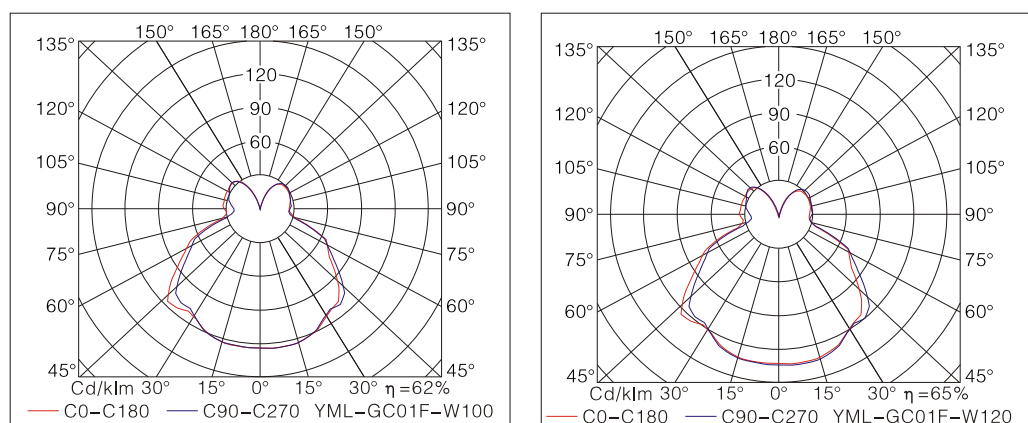
Industrial Factories, Warehouses, Stadiums, Airports, Railway Stations, Gas Stations, Supermarkets, and other Indoor Locations

Warning: Disable all power to the luminaire before conducting any maintenance or upgrade activity. Failure to do so will create a hazardous and fatal working environment.

Dimensions [Unit: Inch(mm)]



Distribution Curve Flux



Specifications

Model	Lamp	Wattage (W)	Ballast Loss (W)	Voltage (V)	CCT (K)	Ambient Temperature	Installation	Replace HPS Lamp (W)
YML-GC01F-W80	WJY80H850W/T	80	<8	AC:120-277V AC:208-347V	5000	-25 -40°C -13 -104°F	Hook or 3/4" hanging pole	175
YML-GC01F-W100	WJY100H850W/T	100	<10					250
YML-GC01F-W120	WJY120H850W/T	120	<12					320
YML-GC01F-W150	WJY150H850W/T	150	<15					400
YML-GC01F-W200	WJY200H850W/T	200	<20					400
YML-GC01F-W250	WJY250H850W/T	250	<25					600
YML-GC01F-W300	WJY300H850W/T	300	<30					600
YML-GC01F-W400	WJY400H850W/T	400	<40					1000